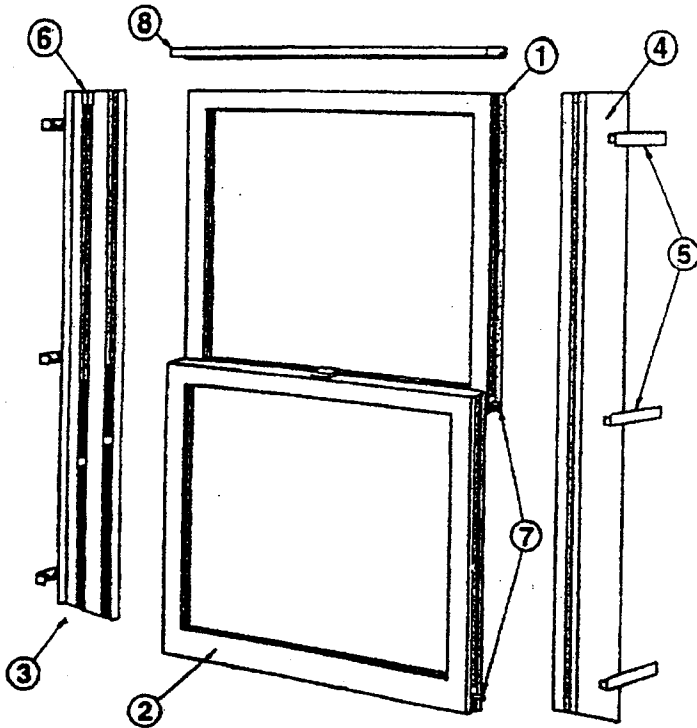


**EPIC
REPLACEMENT WINDOW SYSTEM
INFORMATION & INSTRUCTION
SHEET**

JELD-WEN.
WINDOWS & DOORS
RELIABILITY *for real life*®

P.O. Box 5249
62845 Boyd Acres Road
Bend, OR 97708
(541) 382-4411



PARTS LIST

- 1. TOP SASH
- 2. BOTTOM SASH
- 3. LEFT JAMB LINER
- 4. RIGHT JAMB LINER
- 5. METAL BRACKETS
(Number will vary with height of unit)
- 6. SASH STOP
- 7. CAM PIVOTS
- 8. HEAD FILLER

PREPARATION OF OPENING

STEP 1

Raise lower sash of existing "old" window. Measure 4" up each of the side wood parts that line the interior of the window opening. Mark with a pencil.

Now determine the width measurement between the two pencil marks, across the window opening, from the interior surface of one of the side frame wood parts to the other.

Repeat this width measurement procedure at the mid point of the window opening. Also 4" down from the interior surface of the top frame wood part (head).

If the width measurements you have taken do not match (tolerance $\pm 1/16"$) shimming and/or blocking must be inserted **behind** the side frame members to make the width measurements at top, middle and bottom points uniform.

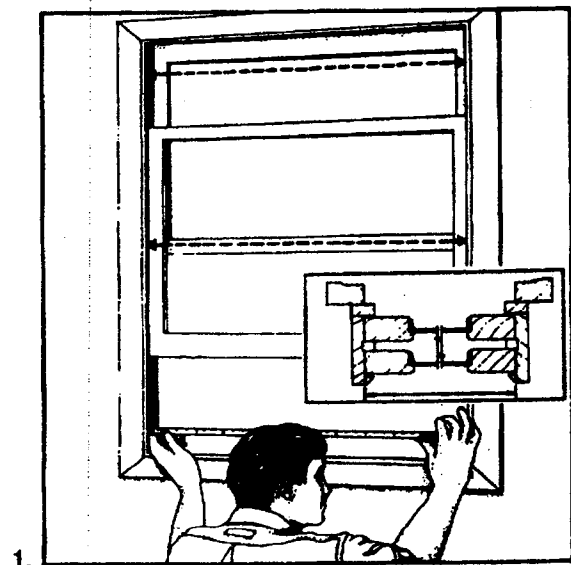
All 3 width measurements must be the same.

WINDOW DIMENSION CHART

SASH OPENING

Width Height

1.		
2.		
3.		
4.		
5.		
6.		
7.		
8.		
9.		
10.		
11.		
12.		
13.		
14.		
15.		
16.		
17.		
18.		
19.		
20.		



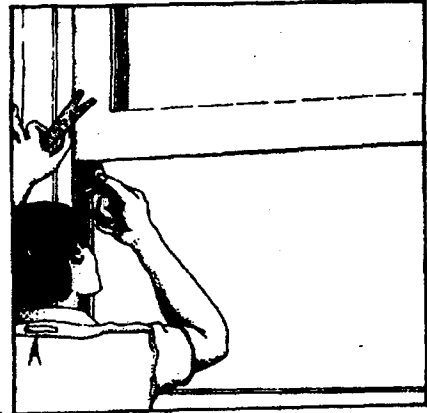
1.

STEP 2A

A top-to-bottom measurement is also necessary.

Examine the existing top sash to determine if it is held in place (fixed) by wooden blocks or bracket devices. If blocks or brackets are present carefully remove to permit lowering of the upper sash a few inches.

Be aware that the unsupported upper sash may fall. Assistance from another person may be necessary to control this sash during the measurement procedure.



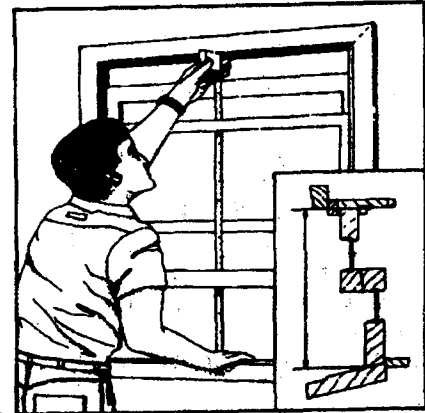
2A.

STEP 2B

After carefully reviewing illustration 2B determine the vertical measurement between the two points indicated.

Tape placement and measurement must correspond as close as possible to locations shown on diagram.

At this point using cutout template provided (last page) verify that the sill angle of existing window unit is 14° and thus corresponds to Pozzi replacement standards. If sill angle is 10°, be sure to specify when ordering.

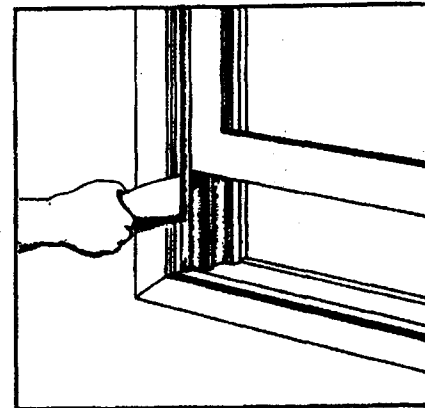


2B.

STEP 3

A small, vertical, wood bead (inside stop) is attached to side frame wood parts of the existing opening to hold the lower sash in place.

Since it will be **saved** carefully remove this bead and take out the lower sash.



3.

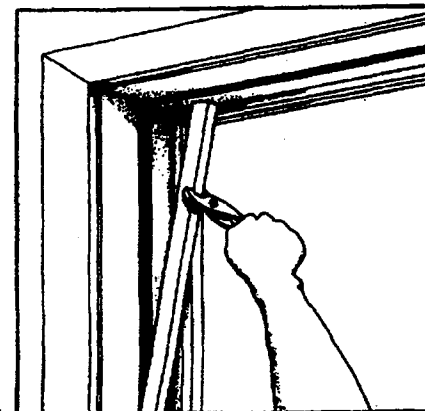
STEP 4

Removal of upper sash is next.

Begin by taking off the vertical wood strip (jamb parting strip), which is center mounted on the interior of the wooden side frame parts.

Discard.

Now lift out the upper sash.



4.

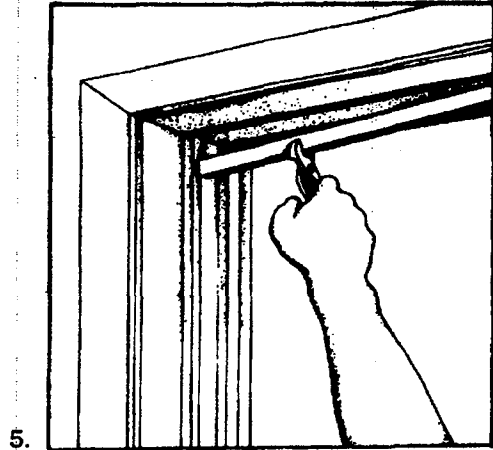
STEP 5

With the opening cleared of sash, turn your attention to the wood strip (head parting strip) which is in the middle of the interior surface of the top wood frame part.

Pry off and discard.

Frame opening must now be double checked to assure:

- a) Frame members are true, not bowed, twisted, etc.
- b) That sash opening is large enough to accept the replacement pack you have purchased.



5.

STEP 6

Metal brackets have been provided to allow attachment of a new balance system to the existing side frame.

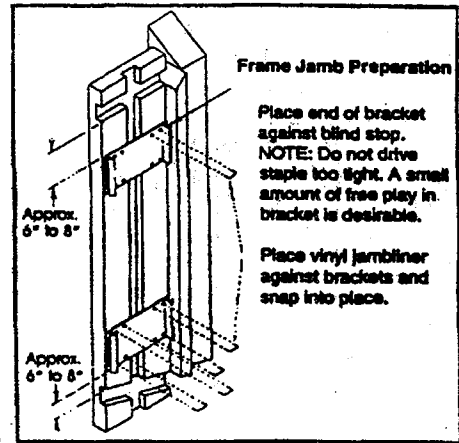
Two of these brackets should be mounted on each side frame member 6-8 inches from top and bottom.

NOTE: As shown in the diagram provided, the brackets must be butted up against the blind stop.

Fastening of brackets should be accomplished with 1/2 x 1/2 16 gauge staples (not provided). **Do not** drive brackets tight, loose mounting is desirable.

The remaining brackets should be placed equally in the space between those which have already been located top and bottom.

A pair of vinyl side jamb liners with balances attached have been furnished. Place these components over the brackets and snap into place.

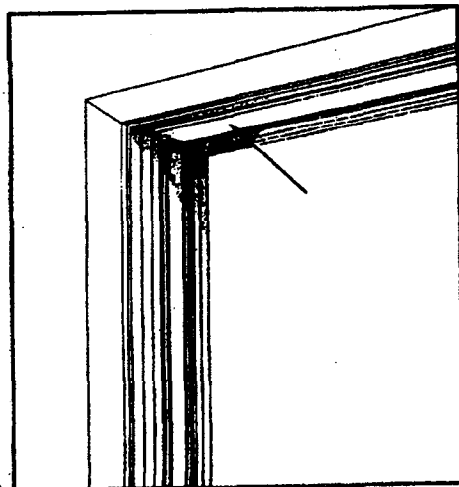


6.

STEP 7

Your replacement pack contains a new head parting strip. Position this piece inside the frame at the top.

Weatherstripping on this new part must face the exterior of the opening. Fasten in place with small finish nails (not provided).



7.

STEP 8

A) UPPER SASH

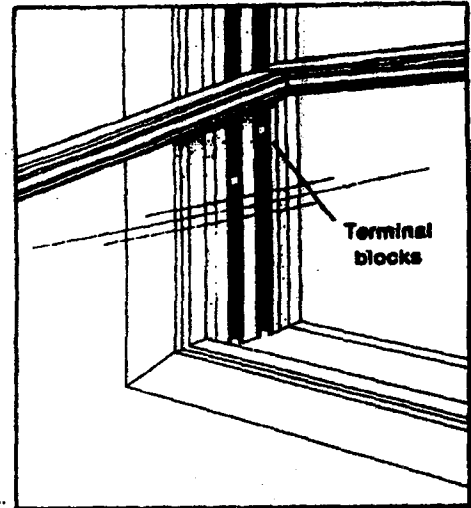
This sash bears the **receiver** for the latch. When it is mounted, this upper sash will be placed in the jamb liner slot which is **closest** to the **exterior** of the frame opening.

Locate the **terminal blocks** in the jamb liner slot.

Hold the sash **upside down** and with the outside facing in, insert one of the cam pivots above the terminal block in the outside liner slot. Then insert the cam pivot on the opposite side above the terminal.

Tip the sash up toward the opening until you contact the jamb liner. Slight pressure on the face surface of the liner will **depress** it and permit you to slide the sash on through into its correct position.

The balance action should now allow controlled up and down movement of the sash.

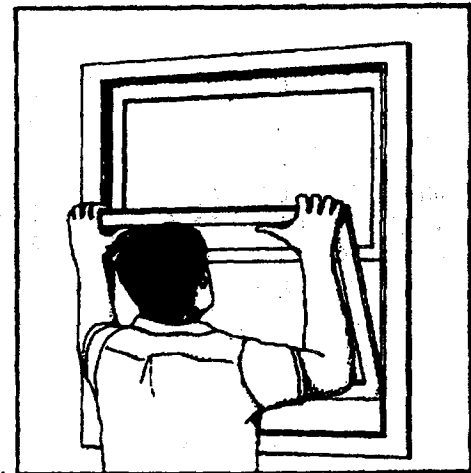


8A.

B) LOWER SASH

This sash has the **latch mechanism** mounted on it. When mounted the lower sash will be placed in the jamb liner slot which is **closest** to the **interior** of the frame opening.

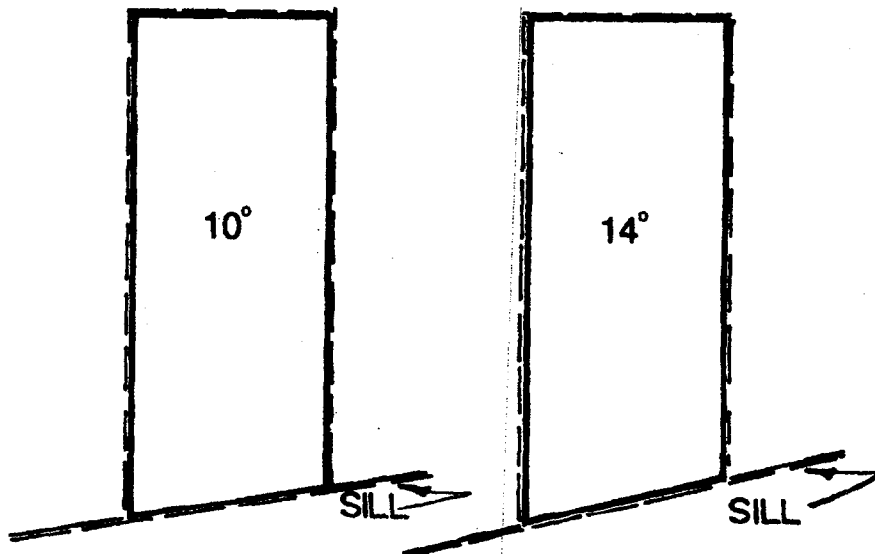
Repeat previous steps to install lower sash.



8B.

STEP 9

Replace inside stops removed in step 3.

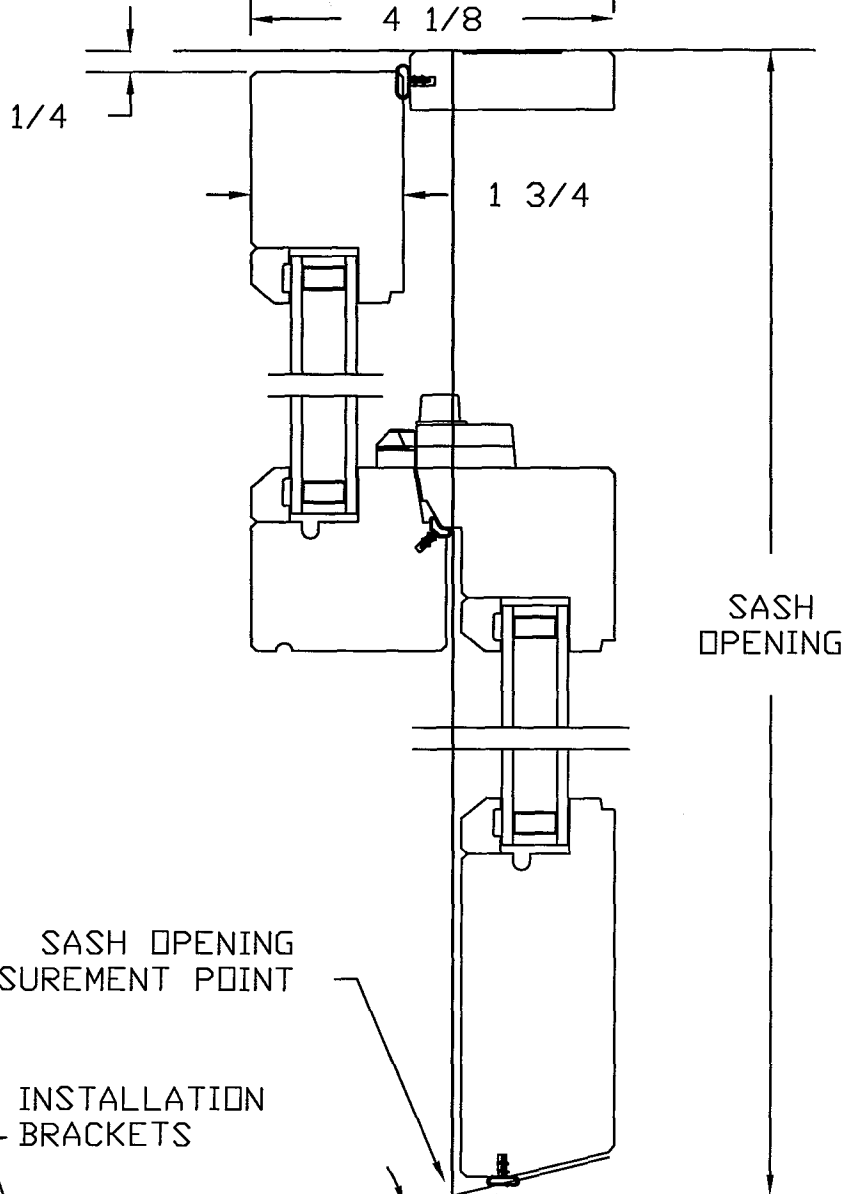


CUT OUTS FOR CHECKING SILL PITCH

WOOD EPIC DOUBLE HUNG

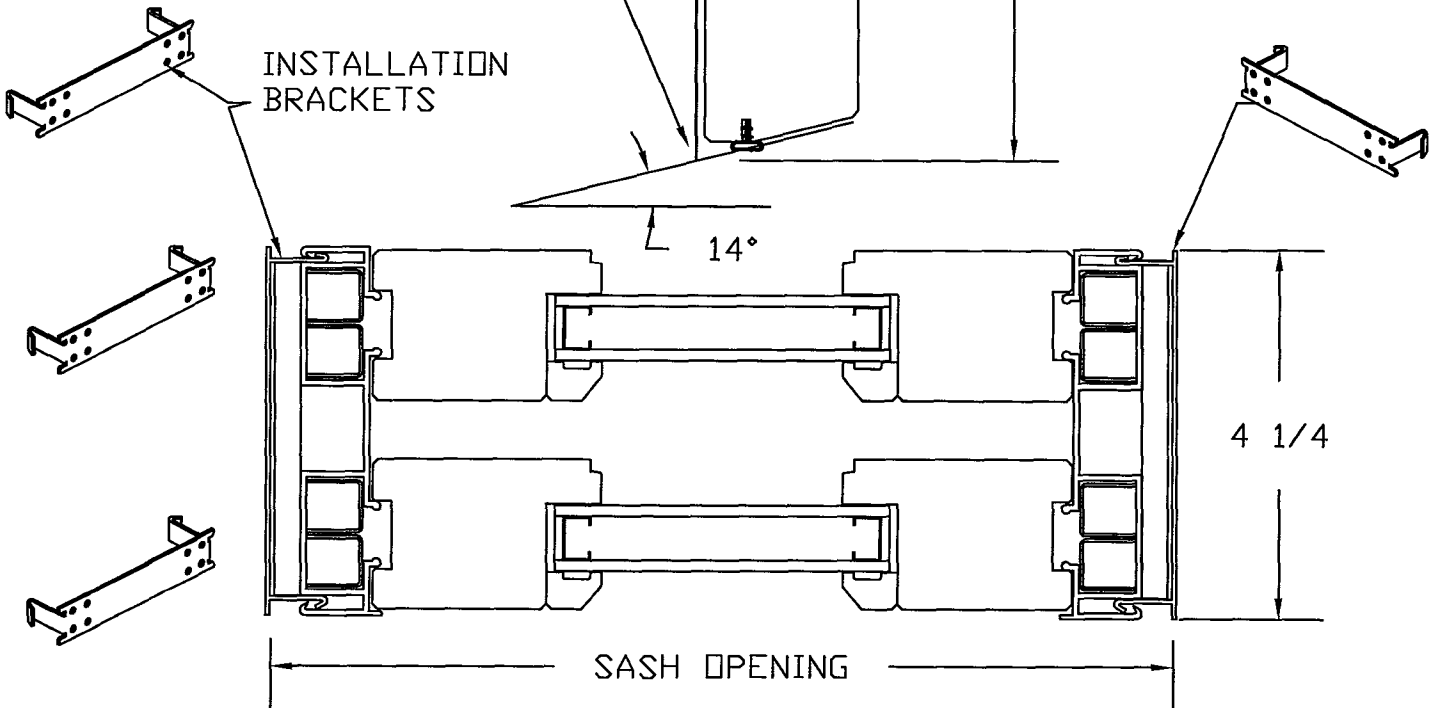


REPLACEMENT SYSTEM



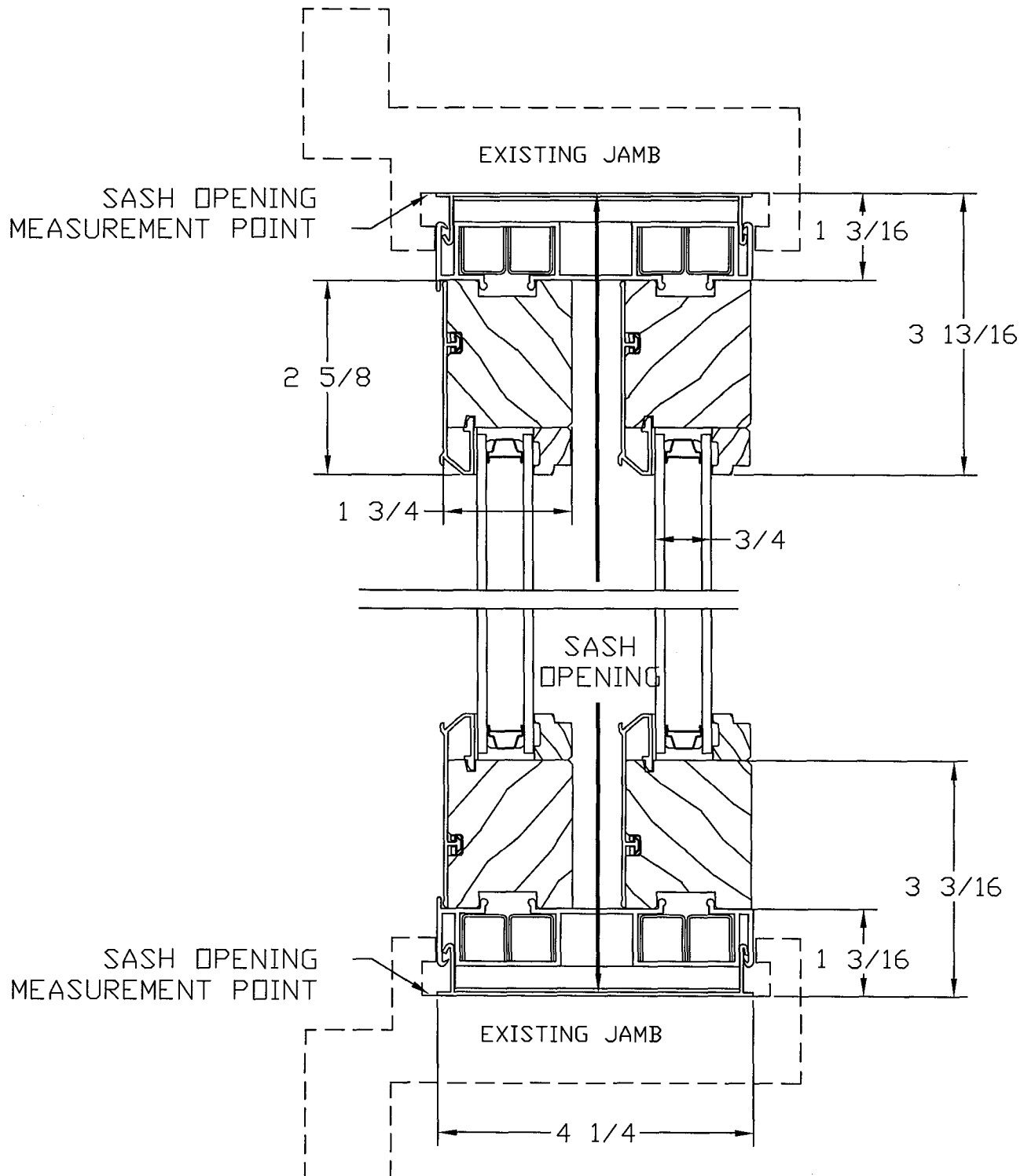
SASH OPENING MEASUREMENT POINT

INSTALLATION BRACKETS



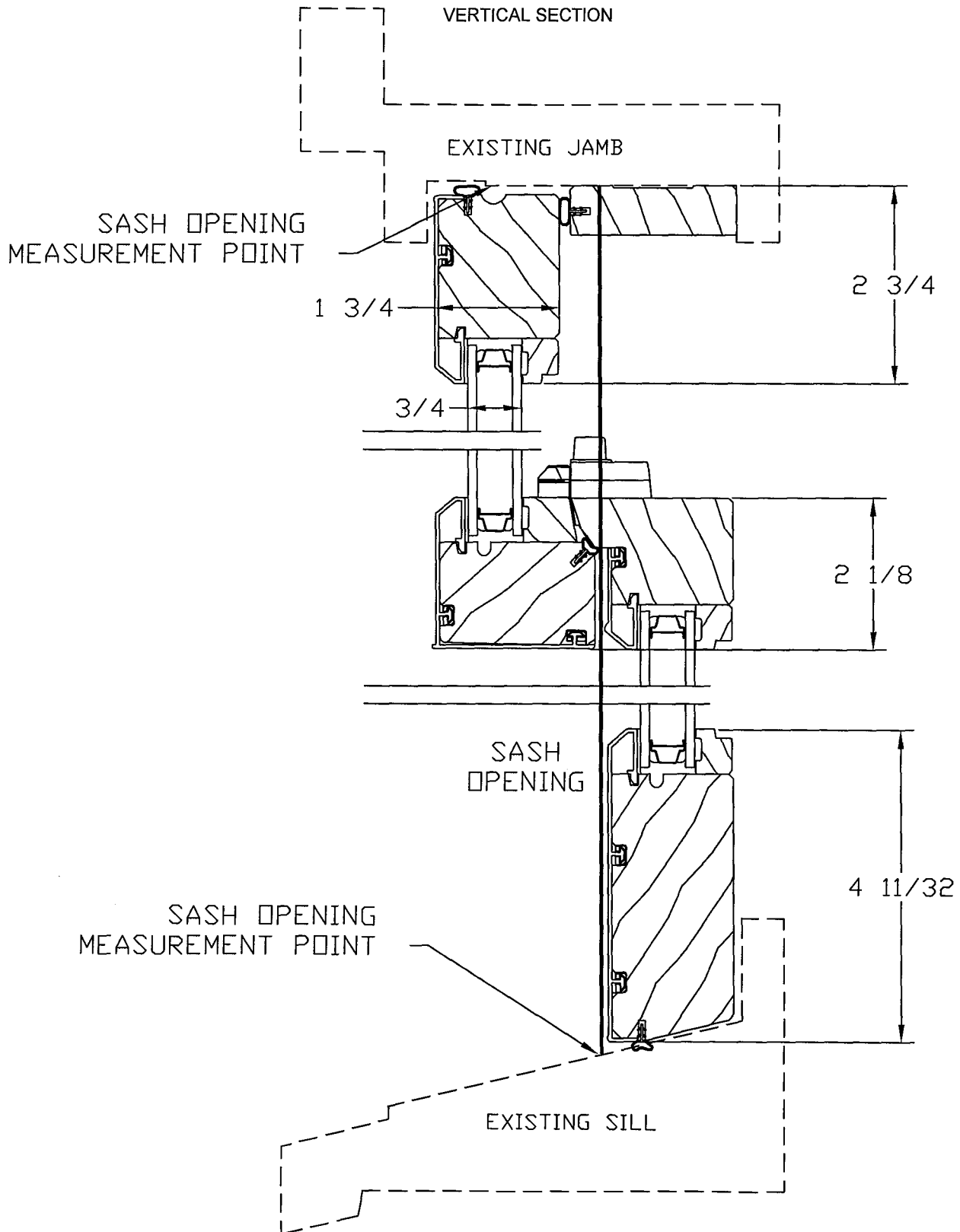
CLAD EPIC DOUBLE HUNG REPLACEMENT SYSTEM

SECTION DETAILS & DIMENSIONS
FOR OPERATING UNITS
HORIZONTAL SECTION

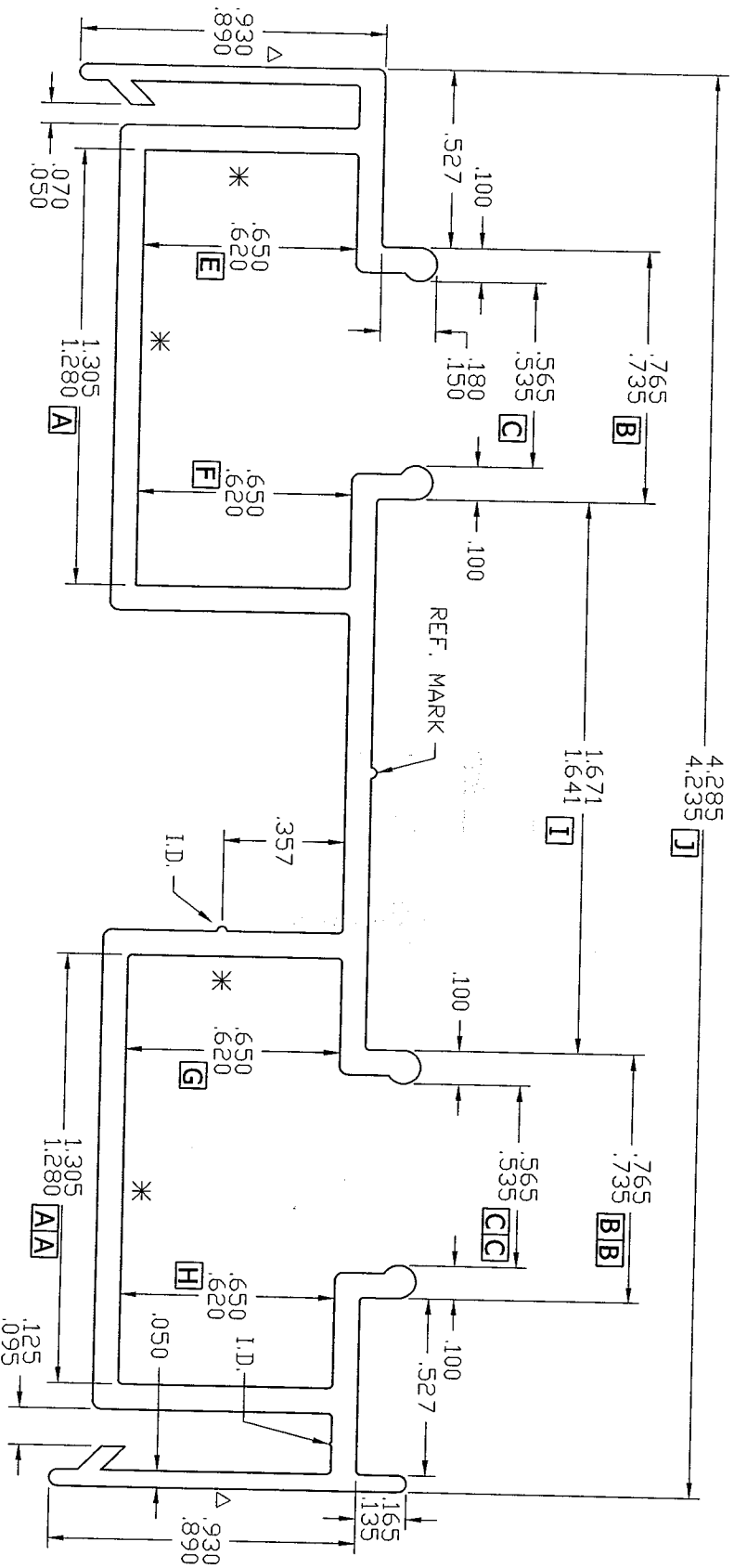


CLAD EPIC DOUBLE HUNG REPLACEMENT SYSTEM

SECTION DETAILS & DIMENSIONS FOR OPERATING UNITS



PRODUCTION PRINT



CRITICAL
 MINIMUM IMPACT OF 29# WITH A 1/4" DART.
 MINIMUM IMPACT OF 41# WITH A 1/4" DART AT THESE POINTS (*).

NO.	DATE	BY	REVISIONS	PRINT	RIGID WALL: .075 (EXCEPT AS NOTED)	TOLERANCES (EXCEPT AS NOTED)	DECIMAL ± .020 FRACTIONAL ± 1/32	ANGULAR ± 3'	SUBSTRATE:	FLEXIBLE:	CAP:
1	10/13/93	JSP	REBRW	APPROVAL							
2	6/21/95	WRB	.765/.735W/.760/.740 .050/.070W/.60 .095/.125W/.110	QUALITY SUPERVISOR							
3	7/24/01	DCL	ADDED LETTERS FOR QC								
4	10/10/01	DCL	CORRECTED WALL THICKNESS SPEC								
5			TD MW REV 2E	ENGINEERING							
6				MANAGER							
7											
8											
9											
10											
11											
12											



AMESBURY GROUP INC.
 EXTRUDED PRODUCTS DIVISION
 CANNON FALLS, MN 55009

P.P.I.
 MAGNUM JAMBLINER

SCALE: 2:1
 DATE: 10/13/93
 DRAWN BY: JSP

PP0482